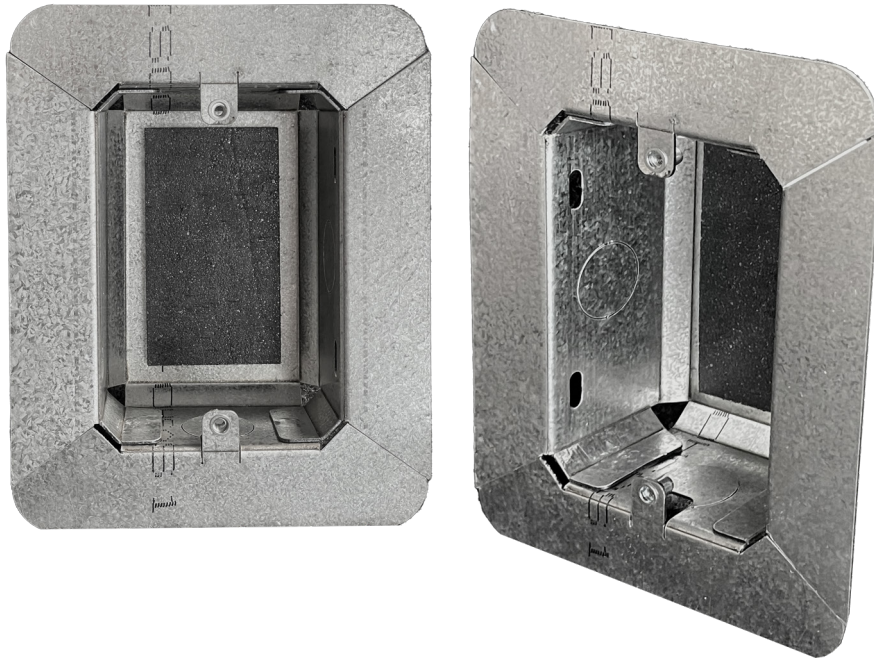


## PHONIC ACOUSTIC FLUSH BOX

For control of noise leakage



Design Registration No. 430717

The Phonic Acoustic Flush Box maximises the acoustic performance of mounting switches and power outlets.

### PRODUCT SUMMARY

Phonic Acoustic Flush Boxes (PFB) have been fully tested to maintain the acoustic rating of a wall.

PFB has the addition of an outer flange, designed to seal to the wall lining. This limits air gaps that cause sound leakage while damping vibration in the flush box.

Testing shows that the use of our PFB maintained the overall system acoustic performance of a test wall. Canterbury Acoustic Testing Services. Report 2022-227 CATS Test Standard: ISO 10140-2:2010.

PFB has an intumescent pad installed; the intumescent material expands when exposed to fire. Tested to AS1530.4:2014 and AS4072.1:2005, for fire rating.

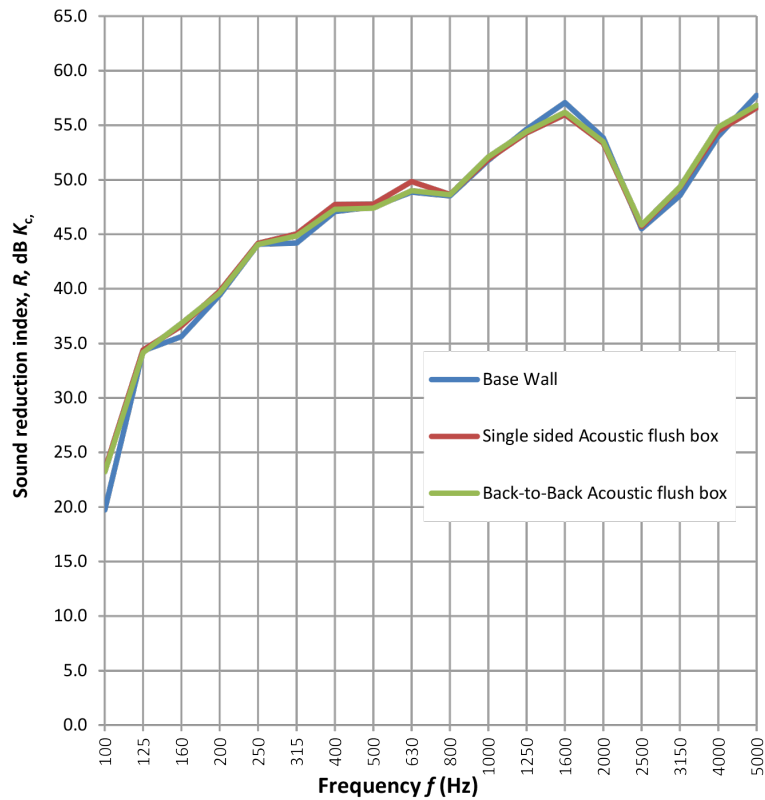
### FEATURES

- Control of noise leakage, tested to ISO 10140-2:2010
- Fire rated to AS1530.4:2014
- Simply installed, user-friendly product saves on install time
- No additional products required for fire and acoustic performance
- Can be used back-to-back
- Replaces any standard flush box

# PHONIC ACOUSTIC FLUSH BOX

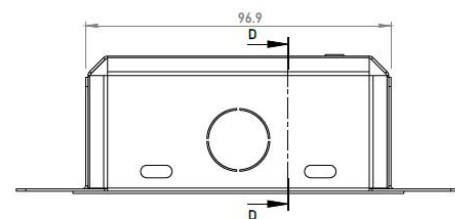
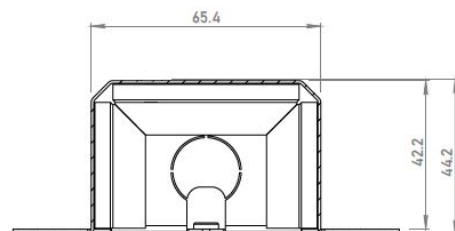
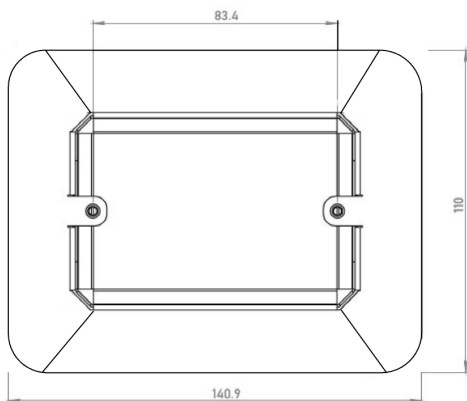
For control of noise leakage

## TESTING



Sound reduction index,  $R$ , in accordance with ISO 10140-2

## ACOUSTIC FLUSH BOX DIMENSIONS



## PHONIC ACOUSTIC FLUSH BOX

For control of noise leakage



Acoustic Flush Box Installation

### INSTALLATION

Fix Phonic Acoustic Flush Box to metal or timber wall stud using a Phillips head drill point drywall screw or a 10-gauge, 16mm wafer screw.

- The PFB discreetly replaces any standard flush box installation.
- The PFB can be used back-to-back but minimum 92mm stud is required to fit the boxes into the wall cavity to, ensure the boxes don't touch, preventing an acoustic bridge from forming.
- Wiring can be fed through circular punch outs on all four side of the flush box.

### APPLICATIONS

- Multi tenanted buildings, hotels, and apartment walls to maintain acoustic performance, preventing noise leakage between residents.
- Aged care, hospitals, and other noise sensitive buildings to preserve wall noise ratings reducing disturbance.
- Private offices, boardrooms, meeting & consultant rooms, or rooms requiring privacy, confidentiality is protected from speech leakage.
- For any wall that separates noise sources from common areas to ensure there is no performance loss of the system.